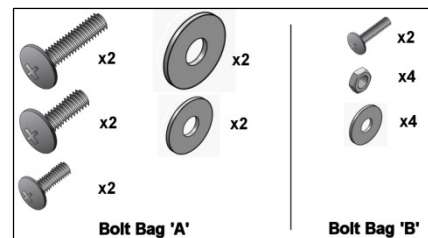




Instructional videos available at [SoundbarBrackets.com](http://SoundbarBrackets.com)



**Caution: bolts and washers are child choking hazard**

**WARNING: attaching speakers to a TV may make it top heavy and cause it to topple. Secure your TV to prevent tipping.**

## Parts List:

- |                          |                          |
|--------------------------|--------------------------|
| 1 Instruction sheet      | 2 Soundbar Brackets      |
| 1 Bolt bag 'A'           | 1 Bolt bag 'B'           |
| 2 large bolts (M8x25mm)  | 2 small bolts (#10x3/4") |
| 2 large bolts (M8x16mm)  | 4 small washers          |
| 2 large washers          | 4 small nuts (#10 hex)   |
| 2 medium bolts (M6x16mm) |                          |
| 2 medium washers         |                          |

## Installation Option 1: Leaving TV on it's stand.

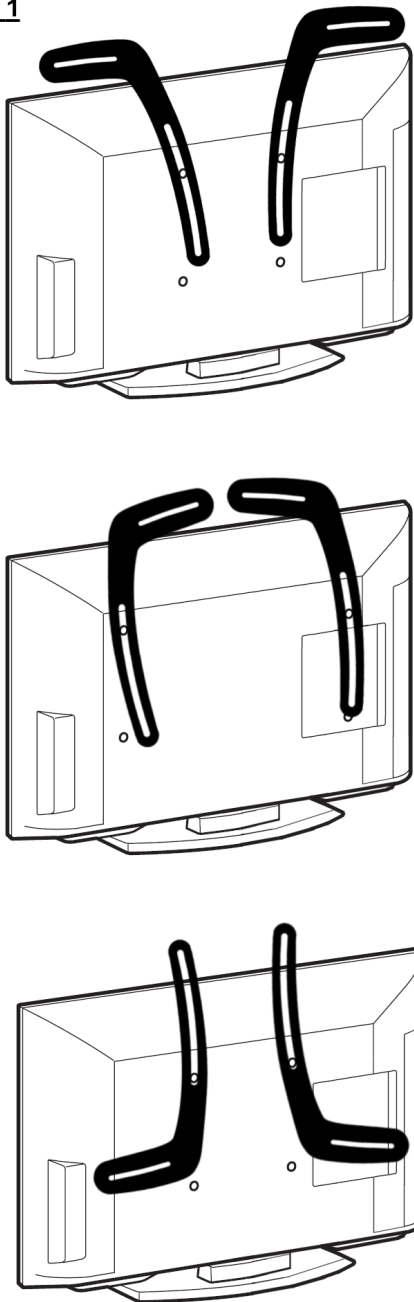
- Remove all parts from box.
- Using the 2 bolts and washers from bag A that best fit your TV, attach brackets to back of TV. See Figure 1 for multiple options depending on the specific layout of your TV/soundbar mounting holes. Use the configuration that works best with your equipment. NOTE: Only secure Soundbar Brackets with 1 bolt in each bracket as shown in diagrams. Additional washers may be used as spacers if needed.
- Prepare Soundbar Brackets for mounting of your soundbar by using one of the configurations below, depending on which soundbar type you have.
  - If your soundbar has 'teardrop' holes on the back that allow it to hang on a screw head:
    - Using all parts from bolt bag B, attach bolts to Soundbar Brackets as shown in Figure 2.
    - Hang your soundbar on the bolts, making sure the bolt heads fit properly in the soundbar's 'teardrop' holes.
    - Make desired alignment adjustments.
    - Tighten all bolts. Do not over tighten.
  - If your soundbar came with a wall mounting bracket:
    - Using parts from bolt bag B, attach your soundbar's wall mount bracket to the Soundbar Brackets as shown in Figure 3.
    - Hang your soundbar on its wall mount bracket.
    - Make desired alignment adjustments.
    - Tighten all bolts. Do not over tighten.

## Installation Option 2: Mounting TV on the wall with another mount.

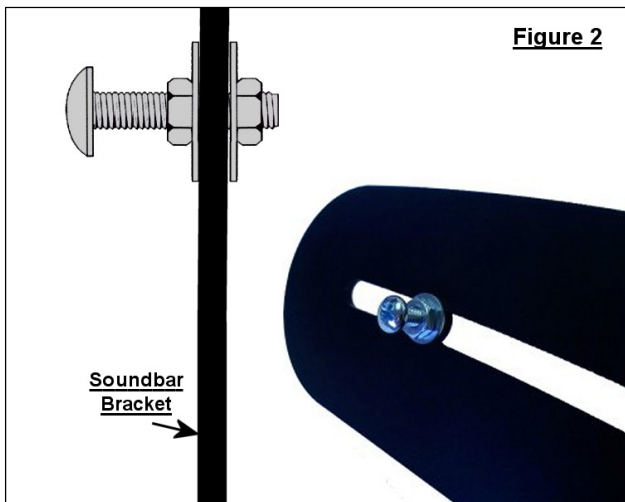
**NOTES:** Soundbar Brackets are designed to be sandwiched in between the back of the TV and the other wall mount's brackets as shown in Figure 4. Because you will be using another mount's bolts, Soundbar Brackets bolt bag A will not be needed. If your TV is already mounted on the wall, Soundbar Brackets can be installed without taking the TV down off its mount, but this is not recommended nor endorsed by Soundbar Brackets LLC as this could result in your TV falling to its destruction and the likely injury of someone.

- Remove all parts from box.
- Slide Soundbar Brackets in between back of TV and the other wall mount's brackets as shown in Figure 4. Only secure Soundbar Brackets with 1 bolt in each bracket as shown in diagrams.
- Continue installing the other wall mount brackets to the back of your TV as per their instructions.
- Prepare Soundbar Brackets for mounting of your soundbar by using one of the configurations below, depending on which soundbar type you have.
  - If your soundbar has 'teardrop' holes on the back that allow it to hang on a screw head:
    - Using all parts from bolt bag B, attach bolts to Soundbar Brackets as shown in Figure 2.
    - Hang your soundbar on the bolts, making sure the bolt heads fit properly in the soundbar's 'teardrop' holes.
    - Make desired alignment adjustments.
    - Tighten all bolts. Do not over tighten.
  - If your soundbar came with a wall mounting bracket:
    - Using parts from bolt bag B, attach your soundbar's wall mount bracket to the Soundbar Brackets as shown in Figure 3.
    - Hang your soundbar on its wall mount bracket.
    - Make desired alignment adjustments.
    - Tighten all bolts. Do not over tighten.
- Hang your TV on its wall mount.

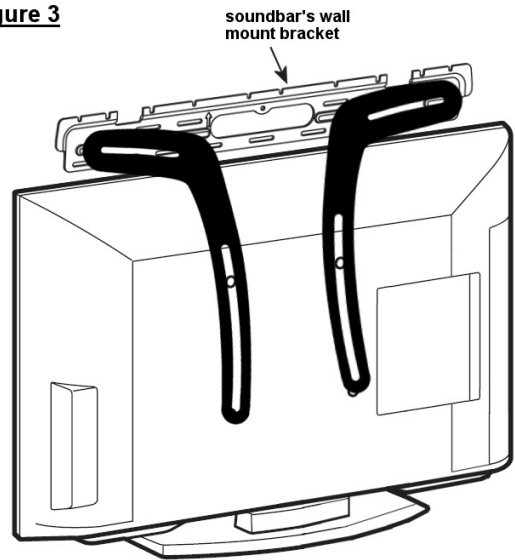
**Figure 1**



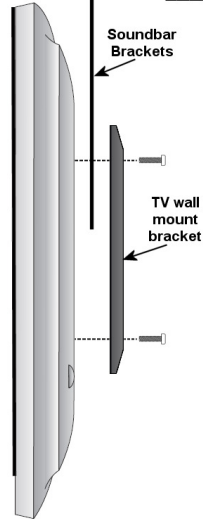
**Figure 2**



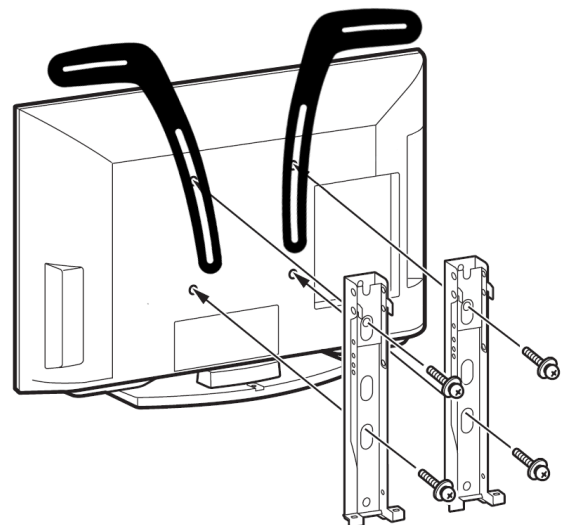
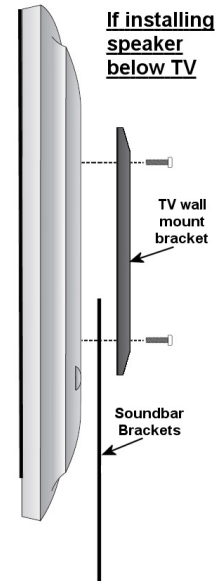
6. **Figure 3**



**If installing speaker above TV**



**If installing speaker below TV**



**Figure 4**